

TRANSMITTER T0310, T0410

Programmable temperature transmitter with serial output RS232 and RS485

Instruction manual

Instruction Manual for use of transmitter:

T0310 (RS232)

T0410 (RS485)

Transmitter is designed for measurement of ambient temperature of air without aggressive ingredients. Read this manual before the first transmitter connection. Transmitter T0310 communicates via link RS232, transmitter T0410 via link RS485. Supported communication protocols are Modbus RTU, protocol compatible with standard Advantech-ADAM and ARION. Measured value is displayed on LCD display. Display can be also switched OFF. Output link RS485 of transmitter T0410 is **galvanic isolated**. Output link RS232 of transmitter T0310 is **NOT** galvanic isolated. Setting of all transmitter parameters is enabled in accordance with procedure described in chapter „*Setting of transmitter, selection of communication protocol*“ or by means of commands of selected communication protocol.

Transmitter setting from the manufacturer

If special setting was not required in the order, transmitter is set from the manufacturer to the following parameters:

communication protocol:	Modbus RTU
transmitter address:	01H
communication speed:	9600Bd, no parity, 2 stop bits
display:	switched ON

Transmitter installation

Transmitter is designed for wall mounting. There are two mounting holes at the sides of the case. Don't connect transmitter while power supply voltage is on. Interconnection terminals are accessible after unscrewing four screws and removing the lid (if necessary). Lace the cable through a gland at the case wall. Connect the cable to terminals with respecting the signal polarity (see figure). Terminals are self-clamping and can be opened by a suitable screwdriver. For the opening, insert the screwdriver to smaller terminal hole and lever by him. Do not forget to tighten glands and case lid with inserted packing after cables connecting. It is necessary for warranting of protection IP65. Working position is with the stem downwards – see figure.

Transmitter T0310 is supplied with connection cable equipped with connector for connection to RS232 interface. For T0410 transmitter (RS485) it is recommended to use shielded twisted copper cable (e.g. SYKFY). Outside diameter of the cable must be from 3 to 6.5 mm, maximal length 1200m. The cable must be located at indoor rooms.

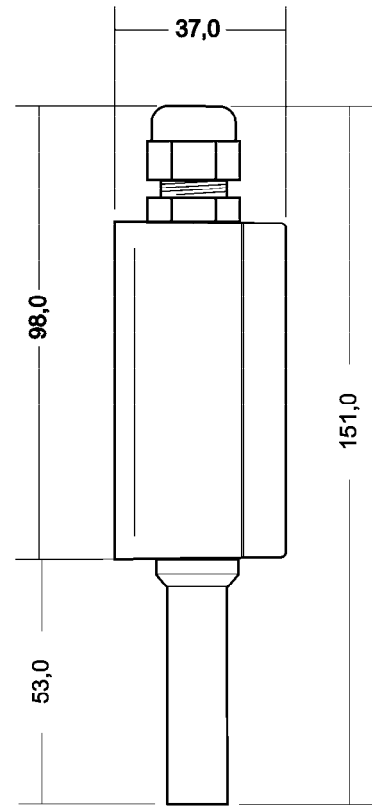
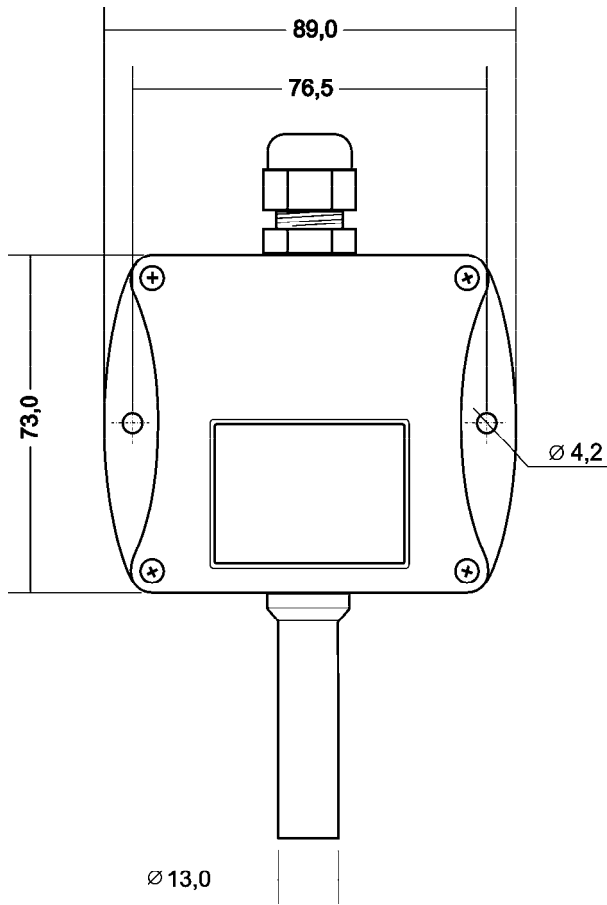
Nominal cable impedance should be 100 Ω , loop resistance max. 240 Ω , cable capacity max. 65 pF/m. Suitable cable is e.g. SYKFY 2x2x0,5 mm², where one wire pair serves for transmitter powering and the other pair for communication link.

The cable should be led in one line, i.e. NOT to „tree“ or „star“. Termination resistor should be located at the end. For short distance other topology is allowed. Terminate the network by a termination resistor. The value of the resistor is recommended about 120 Ω . For short distance termination resistor can be left out.

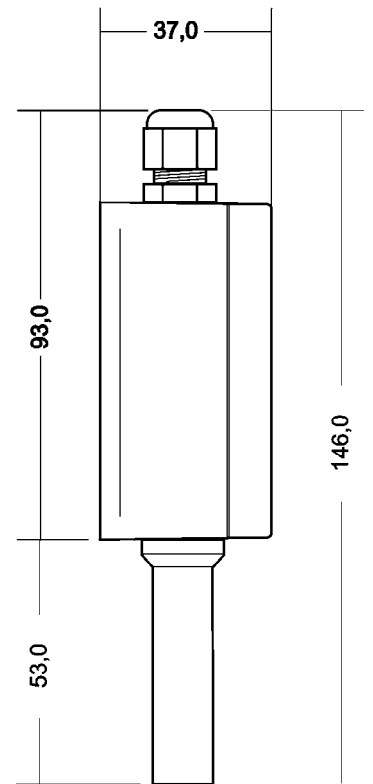
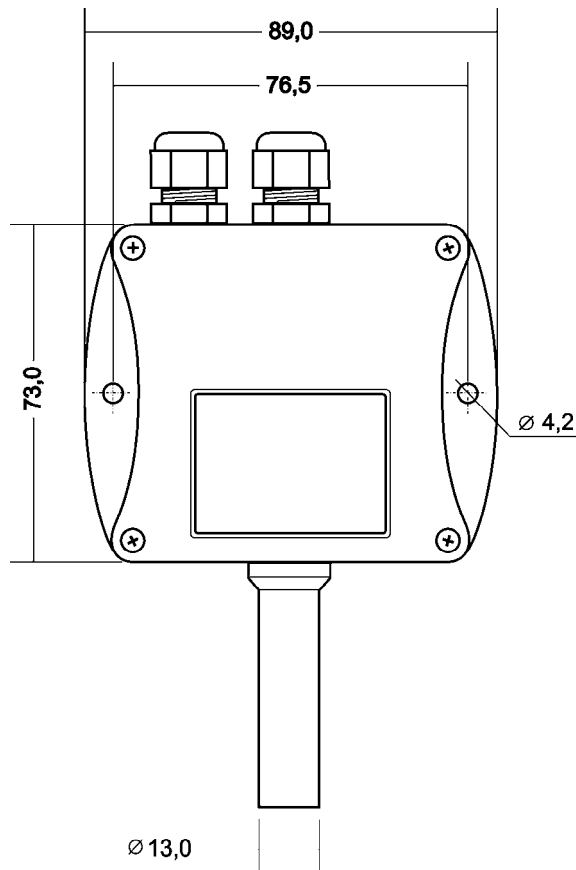
The cable should not be led in parallel along power cabling. Safety distance is up to 0.5 m, otherwise undesirable induction of interference signals can appear.

Dimensions

T0310 – RS232

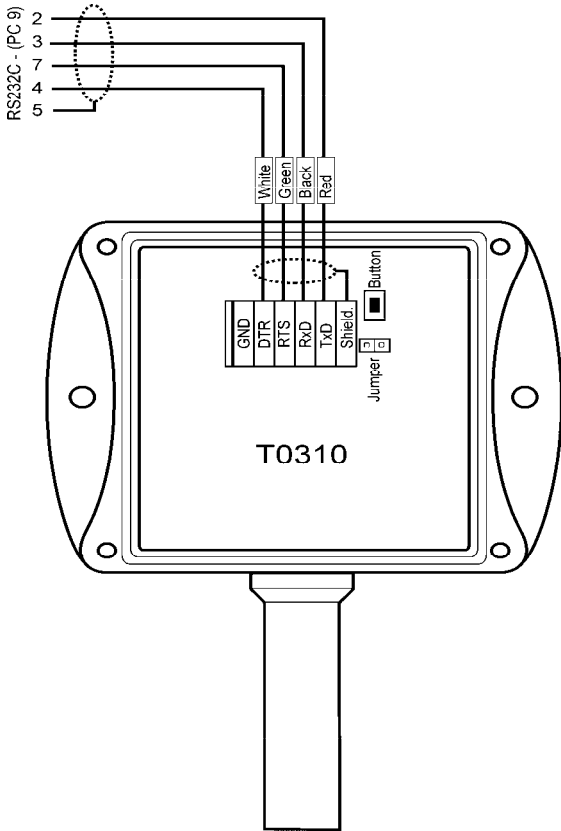


T0410 – RS485

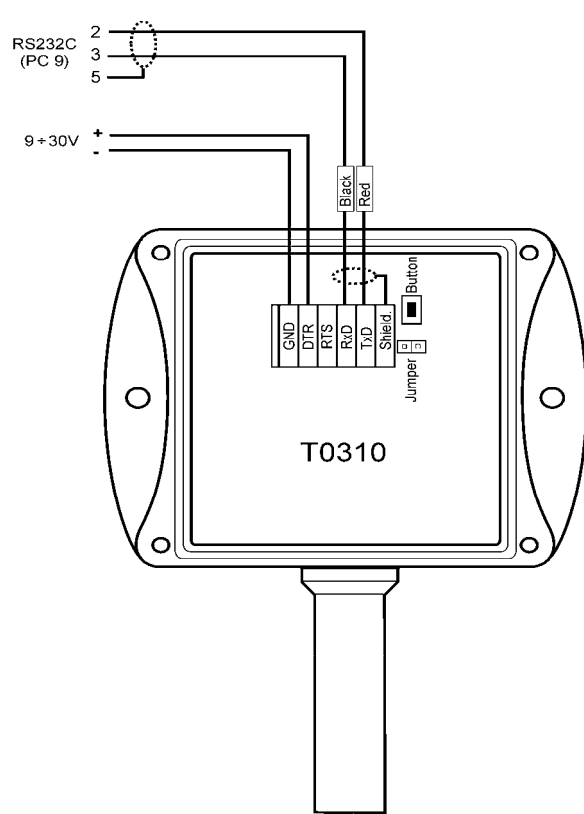


Typical application wiring, connection of terminals

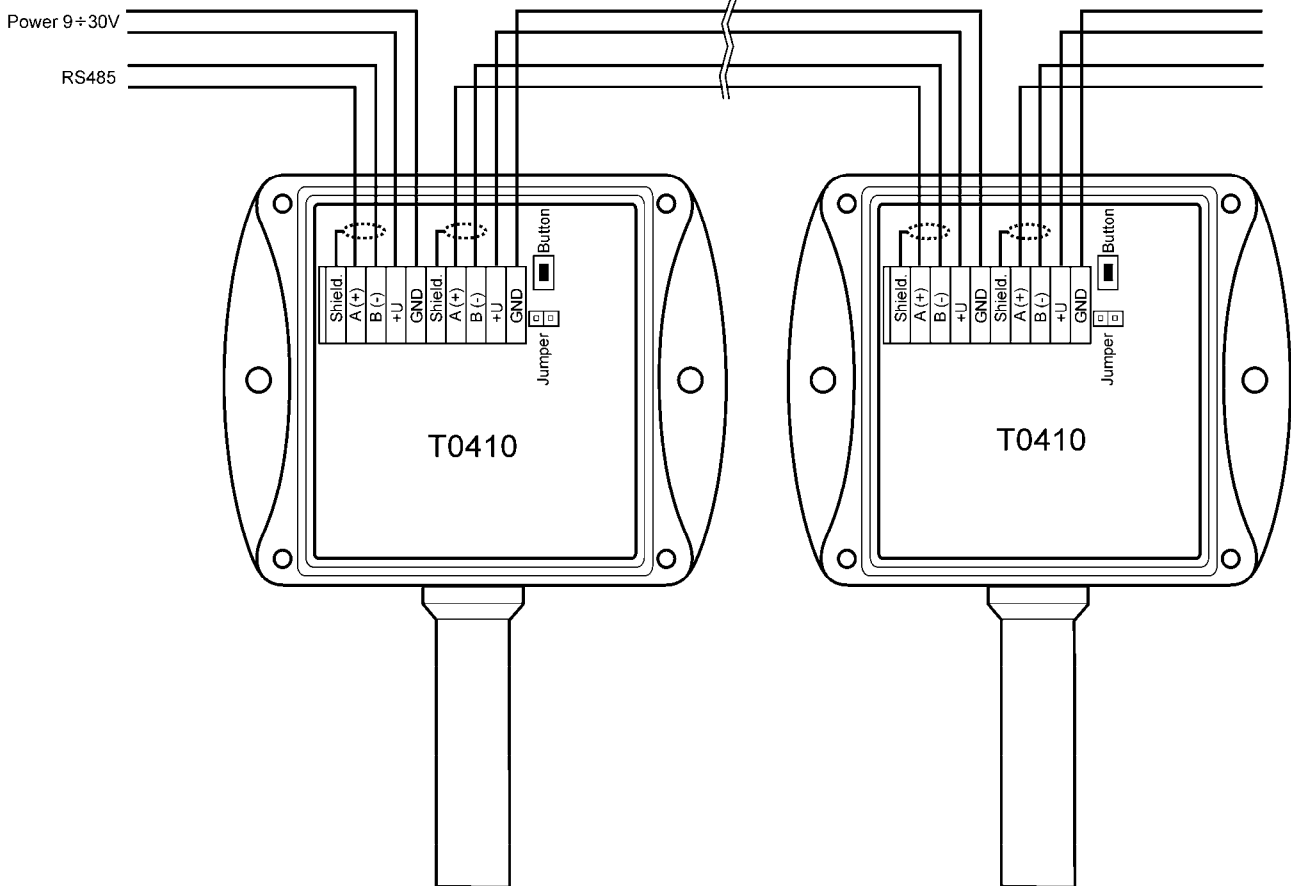
T0310 – power from communication port



T0310 – power from external voltage source



T0410 – RS485



Info mode

If in doubt of setting of installed transmitter, verification of its address is enabled even without using computer. Power should be connected.

Unscrew transmitter cover and shortly press button next to connection terminals (jumper must be open). Actual adjusted address of transmitter is displayed at decimal code. Next press of button exits info mode and actual measured values are displayed.

Note: No measurement and communication is possible during info mode. If transmitter stays in info mode for longer than 15 s, transmitter automatically returns to measuring cycle.

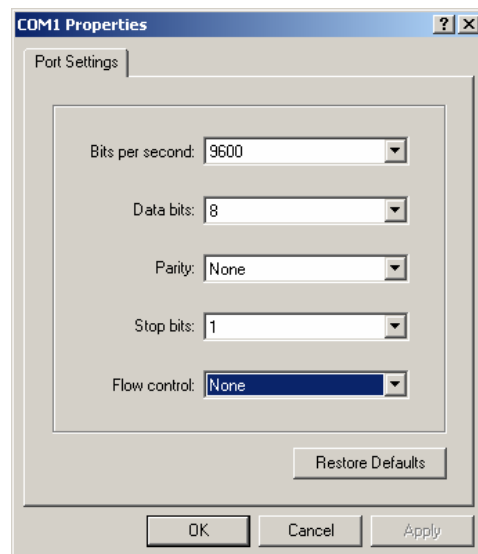
Setting of transmitter, selection of communication protocol

Each new setting of transmitter parameters is stored in its internal memory¹. If modification of transmitter setting is needed (communication protocol, its parameters, setting of LCD display) it is recommended to use of User's software available at www.cometsystem.cz (providing all settings of transmitter parameters) or proceed in following way (support basic setting):

- Connect transmitter with PC, for T0410 (RS485) use converter RS485/RS232 RS232 (with automatic switching control).
- Run program „HyperTerminal“ on your computer – it is a part of Windows operating system (Start → Program Files → Accessory → Communication → HyperTerminal) and set transmission parameters. I.e. enter name of new connection (e.g. Sensor), press button OK, window „Connect“ appears. In field „Connect by means of“ select COM port, which transmitter is connected to (e.g. COM1) and press OK. In following window „COM1 – Properties“ enter to field:

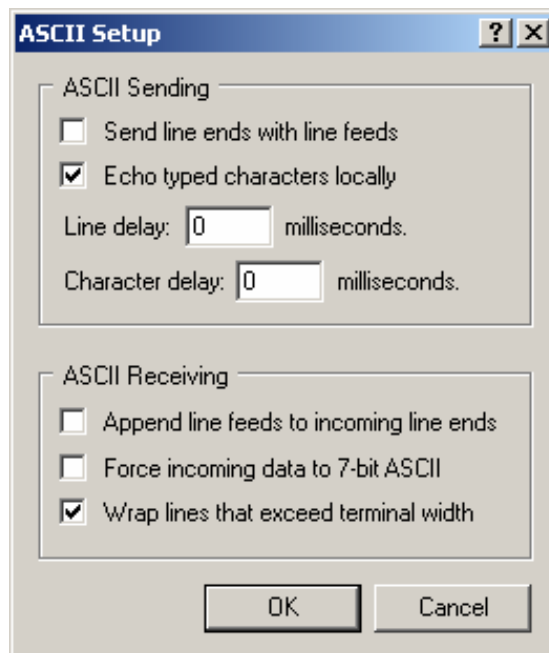
„Bits per second“ **9600**
“Data bits“ **8**
“Parity“ **None**
“Number of stop-bits“ **1**
“Flow control“ **None**

Continue by pressing OK.



¹ During writing to transmitter memory no power failure should appear! Such failure can cause damage of other settings stored in the transmitter!

- Select item „File“, „Features“ in menu. Select bookmark „Setup“, in the window, click on „ASCII Setup...“ and modify all items in accordance with following figure. Then press OK



- Unscrew 4 screws of transmitter cover and remove it. Plug in jumper.
- Keep the button inside the transmitter pressed, only now you can connect power voltage and then release the button. If transmitter is powered directly from PC communication port (for interface RS232), it is necessary first disconnect communication cable, then to keep the button pressed, to connect communication cable (and also power) and only now release the button.
- LCD display of the transmitter displays „PC“.
- Running HyperTerminal displays main menu.



Select required items to set the transmitter:

- 0 ... Displays actual setting of the transmitter

- 1 ... Selection of communication protocol and setting of its parameters (transmitter address, communication speed...). For entering numeric values use digits 0 to 9 and characters „A“ to „F“ (upper case letters), transmitter address is entered always as two digits hexadecimal number (no decimal, e.g. address 11 i.e. Bh must be entered as 0B).
- 2 ... Setting of LCD display of the transmitter (display switched ON/OFF, selection of displayed values)
- 8 ... Setting communication to default value from manufacturer (Modbus, address 01h, 9600 Bd)
- 9 ... End of setting

All changes in setting are continuously automatically stored.

- At the end open the Jumper and if needed, close the transmitter again with cover.

Description of communication protocols

Detailed description of each communication protocols including examples of communication is available in individual document “*Description of communication protocols of Txxx series*” which is free to download at www.cometsystem.cz.

To change communication protocol use User’s software or proceed in accordance with chapter „*Setting of transmitter, selection of communication protocol*“

Note: After switching ON the power of the transmitter it can last up to 2 s before the transmitter starts to communicate and measure!

Modbus RTU

Control units communicate on master-slave principle in half-duplex operation. Only master can send request and only addressed device responds. During sending of request no other slave station should respond. During communication, data transfer proceeds in binary format. Each Byte is sent as eight bit data word in format: 1 start bit, data word 8 bit (LSB first), 2 stop bits², without parity. Transmitter supports communication speed from 110Bd to 115200Bd.

Sent request and response have syntax: ADDRESS OF DEVICE – FUNCTION – Modbus CRC

Supported functions

03 (0x03): Reading of 16-bit registers (Read Holding Registers)

04 (0x04): Reading of 16-bit input gates (Read Input Registers)

16 (0x10): Setting of more 16-bit registers (Write Multiple Registers)

Jumper and button

Jumper and button are located next to connection terminals. If communication protocol Modbus is selected the function of jumper and button is as follows:

- Jumper opened – transmitter memory is protected from writing, from transmitter side it is only enabled to read measured value, writing to memory is disabled (no change of transmitter address, communication speed and LCD setting is enabled)
- Jumper closed – writing to transmitter memory is enabled by means of User’s software
- Jumper closed and button pressed for longer than three seconds – causes restoring of manufacturer setting of communication protocol, i.e. sets transmitter address to 01h and communication speed to 9600Bd

² Transmitter sends two stop bits, for receive one stop bit is enough.

- Jumper opened and button shortly pressed – transmitter goes to Info mode, see chapter „Info mode“

Modbus registers of the device

Variable	Unit	Address ^X	Format	Size	Status
Measured temperature	[°C]	0x0031	Int*10	BIN16	R
Address of transmitter	[-]	0x2001	Int	BIN16	R/W*
Code of communication speed	[-]	0x2002	Int	BIN16	R/W*
Serial number of transmitter Hi	[-]	0x1035	BCD	BIN16	R
Serial number of transmitter Lo	[-]	0x1036	BCD	BIN16	R
Version of Firmware Hi	[-]	0x3001	BCD	BIN16	R
Version of Firmware Lo	[-]	0x3002	BCD	BIN16	R

Explanation:

- Int*10 register is in format integer*10
- R register is designed only for reading
- W* register is designed for writing, for more details see chapter description of communication protocols
- ^X register addresses are indexed from zero – register 0x31 is physically sent as value 0x30, 0x32 as 0x31 (zero based addressing)

Note: In case there is a need for reading of measured values from transmitter with higher resolution than one decimal, measured values in transmitter are stored also in „Float“ format, which is not directly compatible with IEEE754.

Protocol compatible with Advantech-ADAM standard

Control units communicate on master-slave principle in half-duplex operation. Only master can send requests and only addressed device responds. During sending request any of slave devices should respond. During communication data is transferred in ASCII format (in characters). Each Byte is sent as two ASCII characters. Transmitter supports communication speed from 1200Bd to 115200Bd, parameters of communication link are 1 start bit + eight bit data word (LSB first) + 1 stop bit, without parity.

Jumper

Jumper is located next to connection terminals. If communication protocol compatible with standard Advantech-ADAM is selected, its function is the following:

- If jumper during switching ON the power is closed, transmitter always communicates with following parameters regardless stored setting in the transmitter:
communication speed 9600 Bd, without check sum, transmitter address 00h
- If jumper during switching ON the power is not closed, transmitter communicates in accordance with stored setting.
- If jumper is closed during transmitter operation, transmitter temporarily changes its address to 00h, it will communicate in the same communication speed as before closing jumper and will communicate without check sum. After jumper is opened setting of address and check sum is reset in accordance with values stored in transmitter.
- Communication speed and check sum are possible to change only if jumper is closed.

ARION communication protocol - AMiT company

The device supports communication protocol ARION version 1.00. For more details see chapter description of communication protocols.

Error states of the device

Device continuously checks its state during operation. In case error is found LCD displays corresponding error code:

Error 0

First line displays „Err0“.

Check sum error of stored setting inside device's memory. This error appears if incorrect writing procedure to device's memory occurred or if damage of calibration data appeared. At this state device does not measure and calculate values. It is a serious error, contact distributor of the instrument to fix.

Error 1

Measured value is over upper limit of allowed full scale range. There is a reading „Err1“ on LCD display. This state appears if measured temperature is higher than approximately 600°C (i.e. high non-measurable resistance of temperature sensor, probably opened circuit).

Error 2

There is a reading „Err2“ on LCD display. Measured value is below lower limit of allowed full scale range. This state appears if measured temperature is lower than approximately -210°C (i.e. low resistance of temperature sensor, probably short circuit).

Error 3

There is a reading „Err3“ on LCD display upper line.

Error of internal A/D converter appeared (converter does not respond, probably damage of A/D converter). No measurements proceed. It is a serious error, contact distributor of the instrument.

Readings on LCD display

°C

Reading next to this symbol is measured temperature or error state of value.

first left arrow

Is on if jumper is closed.

second left arrow

Is on if button is pressed.

Technical parameters of the instrument:

RS 485 Interface:

Receiver-Input Resistance: 96 k Ω
Devices on bus: max. 256 (1/8 Unit Receiver Load)

Measuring parameters:

Ambient temperature (RTD sensor Pt1000/3850ppm):

Measuring range: -30 to +80 °C

Resolution of display: 0.1 °C

Accuracy: ± 0.4 °C

Response time (air flow approximately 1 m/s):

temperature: $t_{90} < 4$ min (temperature step 20 °C)

Recommended calibration interval: 2 years

Measuring interval and LCD display refresh: 0.5 s

Power: 9 to 30 V dc

Consumption: T0310 (RS232) 6 mA
T0410 (RS485) max. 0.5W

Protection: IP65

Operating conditions:

Operating temperature range: -30 to +80 °C, switch the LCD display OFF over +70°C

Operating relative humidity range: 0 to 100 %RH

Outer influence in accordance with EN 33-2000-3: normal environment with those specifications: AE1, AN1, AR1, BE1

Working position: with the stem downwards

Electromagnetic compatibility: complies EN 61326-1

Not allowed manipulation

It is not allowed to operate the device under conditions other than specified in technical parameters. Devices are not designed for locations with chemically aggressive environment.

Storing conditions: temperature -30 to +80 °C, humidity 0 to 100 %RH without condensation

Dimensions: case with electronics 89 x 73 x 37 mm, length of stem 53 mm

Weight: approximately 200 g

Material of the case: ABS

End of operation

Device itself (after its life) is necessary to liquidate ecologically!

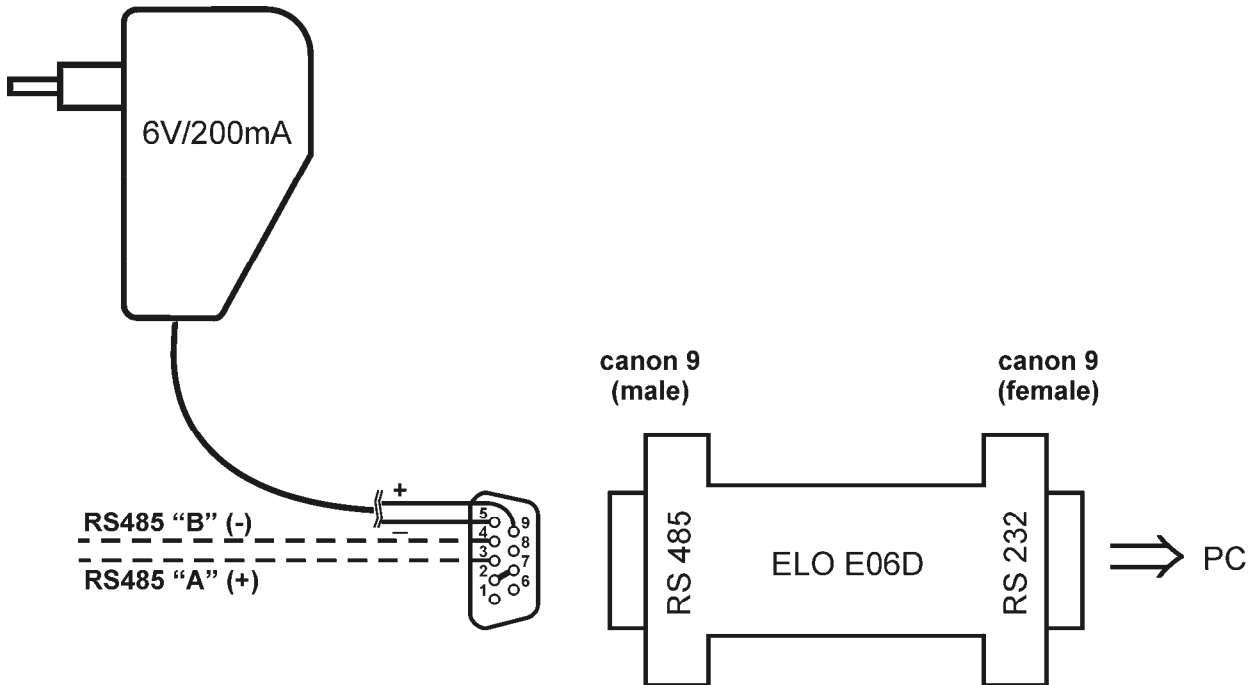
Technical support and service

Technical support and service is provided by distributor. For contact see warranty certificate.

Appendix A

Connection of ELO E06D converter (RS232/RS485)

(optionally accessory of the transmitter T0410)



The ELO E06D converter is an optional accessory for connection of transmitter/transmitters with RS485 interface to the PC via serial port RS232. Connect connector marked RS232 directly to the PC, connect power to connector marked RS485. Power voltage **+6V DC** from an external ac/dc adapter connect to **pin 9**, **0V** connect to **pin 5**. Also mutually connect pin 2 and pin 7. Link RS485 is connected across **pin 3 (A+)** and **pin 4 (B-)**.