

# *T3110 TRANSMITTER*

**Programmable transmitter of temperature, relative humidity  
and other derived humidity values  
with 4-20 mA outputs**

**Instruction Manual**

## Instruction manual for use of T3110 transmitter

Transmitter is designed for measurement of ambient air temperature and relative humidity of air without aggressive ingredients with computing one of the following values: dew point temperature, absolute humidity, specific humidity, mixing ratio and specific enthalpy. Measuring temperature and relative humidity sensors are non-removable instrument parts. Measured and computed values are displayed on dual line LCD display. The first line displays temperature. Value displayed on the second line is selectable among relative humidity and computed value. It is also possible to display both readings with cyclic overwriting in 4 seconds interval. It is possible to switch OFF the LCD at all. Transmitter is connected to circuitry by means of one or two **galvanic isolated** loops. Each loop has two-wire connection and each loop requires power from evaluation device. It is always necessary to connect current loop I1 for proper transmitter function (from loop I1 part of the transmitter is powered). If current loop I1 is opened or disconnected, then loop I2 and LCD will not work. It is possible to assign measured or computed value to current loop output I1 or output I2 (both two-wire connection).

All transmitter setting is performed by means of the PC connected via the optional SP003 communication cable (not included in delivery). Program *Tsensor* for transmitter setting is available to download free at [www.cometsystem.cz](http://www.cometsystem.cz). Program enables to assign each current loop output measure value (temperature, relative humidity, computed value) and its range. It is also possible to assign both outputs to the same value (with the same range), if two evaluation devices are necessary to connect.

### Transmitter setting before operation

Transmitter is set from the manufacturer to the following parameters:

**value at output I1:** relative humidity, range 4 – 20 mA corresponds 0 to 100 % RH

**value at output I2:** temperature, range 4 – 20 mA corresponds -30 to +80 °C

**display:** switched ON

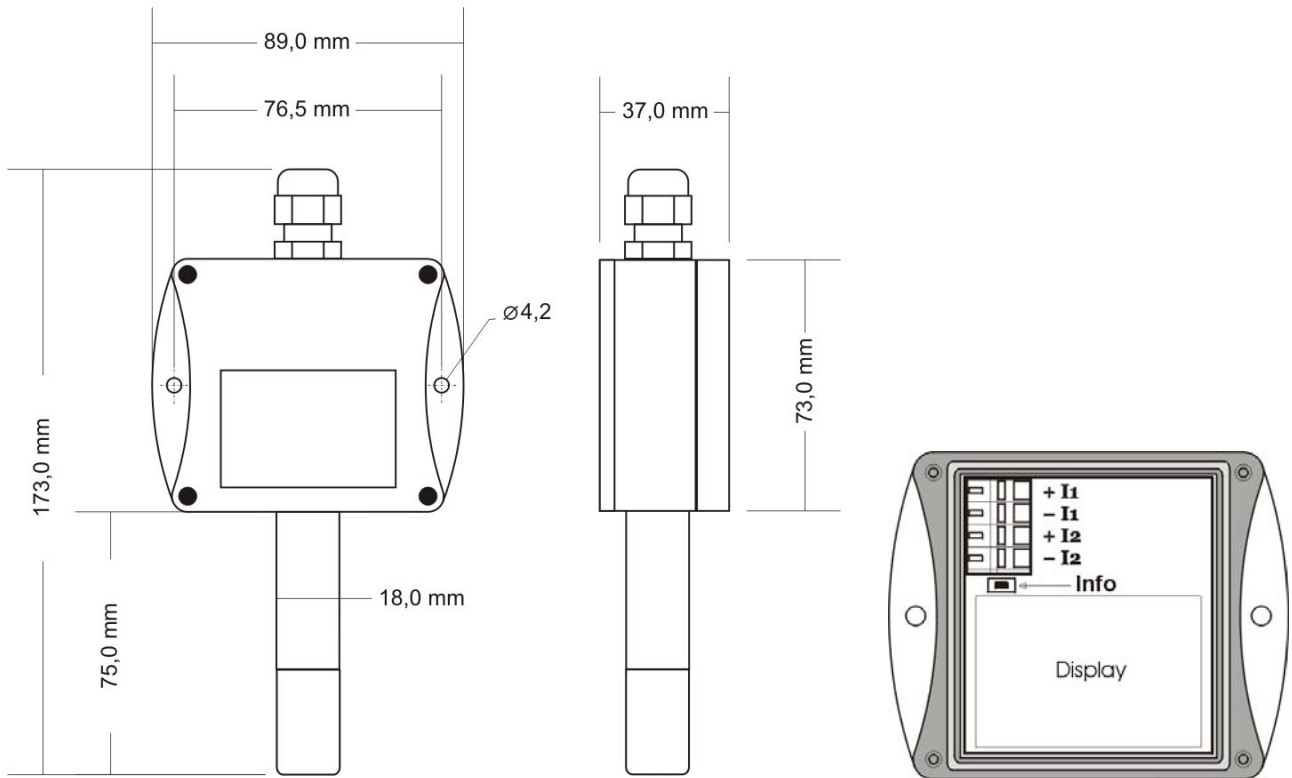
**value displayed at line 2:** relative humidity only

Modification of the setting is possible to do by means of the PC using procedure described at the end of this document.

### Installation of the transmitter

Transmitter is designed for wall mounting. There are two mounting holes at the sides of the case. It is NOT recommended to use the device for long time under condensation conditions. It could be the cause of water steam condensation inside the sensor's cover into water phase. This liquid phase stays inside sensor's cover and can't escape from the cover easily. It can dramatically increase response time to relative humidity change. If water condensation occurs for longer time it can cause sensor damage. Similar effect can occur under water aerosol conditions. Don't connect transmitter while power supply voltage is on. Interconnection terminals are accessible after unscrewing four screws and removing the lid. Lace the cable through a gland at the case wall. Connect the cable to terminals with respecting the signal polarity (see figure). Terminals are self-clamping and can be opened by a suitable screwdriver. For the opening, insert the screwdriver to upper terminal hole and lever by him. Do not remember to tighten glands and case lid with inserted packing after cables connecting. It is necessary for warranting of protection IP65.

It is recommended to use shielded copper cable (e.g. SYKFY) with outside diameter of the cable must be from 3.5 to 8 mm, maximal length 1200m. The cable must be located at indoor rooms (probe is not protected for outdoor use). The cable should not be led in parallel along power cabling. Safety distance is up to 0.5 m otherwise undesirable induction of interference signals can appear.



### Typical application wiring

Calculation of minimum power voltage  $U_{ss}$  for proper operation:

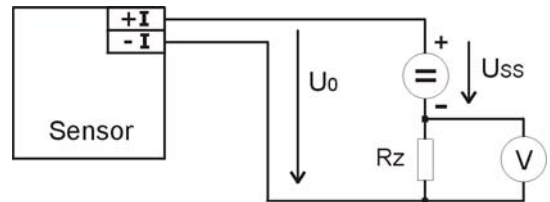
$$U_{ss \min} > U_0 \min + I_{\max} * R_z,$$

where:  $U_0 \min = 9 \text{ V}$

$I_{\max}$ ... approximately 20 mA

$R_z$ ... sensing resistor (shunt)

Both current loops (I1 and I2) are connected analogically, current loop I1 must be always connected.



### LCD Info mode

Several settings of installed transmitter is possible to verify without a use of the computer. It is necessary to connect at least power of current loop I1.

Unscrew the transmitter lid and shortly press button between display and interconnection terminals by means of a tool (e.g. screwdriver).



Range and type of value for output 1 (current loop I1 = symbol „1“ on display). Type of value, assigned to output 1, is indicated by displayed unit (here %RH = relative humidity). Upper line displays current value corresponding to measured value (lower line).



Press button again to get value for upper point (same output, same value) similarly as at previous point. Here 20 mA corresponds to 100 %RH.



Press button again to display range and type of value for output 2 (symbol „2“). Here it is ambient temperature („°C“), when 4 mA corresponds to -30 °C. If dew point temperature would be assigned to output 2, displayed symbols are „°C“ and „DP“, for the rest values is shown only number (without corresponding unit).



After next press of the button value for upper point appears, here 20 mA corresponds to ambient temperature 80 °C.  
Press button again to end info mode and display actual measured values.

**Notice:** during info mode no measurement and no output current generation proceed. The transmitter stays at info mode 15 s and then automatically goes back to measuring cycle.

### Technical parameters:

Accuracy data shown are for value displayed on LCD display. For value on analog output is valid too, if selected output range is set inside measuring range.

#### Analog outputs:

Two galvanic isolated current loops with range from 4 to 20 mA  
Current output in case of error: <3.8 mA or >24 mA

**Power: 9 to 30 V dc**, maximum ripple 0.5 %

#### Measuring parameters:

**Ambient temperature** (internal RTD sensor Pt1000/3850ppm):

Measuring range: -30 to +80 °C  
Display resolution: 0.1 °C  
Accuracy:  $\pm 0.4$  °C

**Relative humidity** (RH reading is compensated at the entire temperature range):

Measuring range: 0 to 100 %RH (see Installation of the transmitter)  
Display resolution: 0.1 %RH  
Accuracy:  $\pm 2.5$  %RH from 5 to 95 %RH at 23 °C

**The value computed from ambient temperature and relative humidity:**

Display resolution: 0,1 °C  
You can choice one of the next value:.

#### Dew point temperature

Accuracy:  $\pm 1,5$  °C at ambient temperature  $T < 25^\circ\text{C}$  and  $\text{RH} > 30\%$   
Range: -60 to +80 °C

#### Absolute humidity

Accuracy:  $\pm 3\text{g}/\text{m}^3$  at ambient temperature  $T < 40^\circ\text{C}$   
Range: 0 to 400  $\text{g}/\text{m}^3$

#### Specific humidity<sup>1</sup>

Accuracy:  $\pm 2\text{g}/\text{kg}$  at ambient temperature  $T < 35^\circ\text{C}$   
Range: 0 to 550  $\text{g}/\text{kg}$

<sup>1</sup> This value depends on the atmospheric pressure. For computing is used constant value stored inside device memory. Default value preset by manufacturer is 1013hPa and can be changed by user's software.

**Mixing ratio<sup>1</sup>**

Accuracy:  $\pm 2\text{g/kg}$  at ambient temperature  $T < 35^\circ\text{C}$

Range: 0 to 995 g/kg

**Specific enthalpy<sup>1</sup>**

Accuracy:  $\pm 3\text{kJ/kg}$  at ambient temperature  $T < 25^\circ\text{C}$

Range: 0 to 995 kJ/kg<sup>2</sup>

**Response time** (air flow approximately 1 m/s):

temperature (temperature step  $20^\circ\text{C}$ ):

with stainless steel mesh sensor cover (F5200)  $t_{90} < 7\text{ min}$

with bronze sensor cover (F0000)  $t_{90} < 9\text{ min}$  (selectable option)

relative humidity:  $t_{90} < 30\text{ s}$  (humidity step 65 %RH, constant temperature)

Recommended interval of calibration: 1 year

Measuring interval and LCD display refresh: 0.5 s

Communication with computer: via USB port by means of USB communication cable

SP003

Protection: electronics IP65, sensors are located in cover with IP40 protection

Air filter: filtering ability 0.025 mm

Operating conditions:

Operating temperature range:  $-30$  to  $+80^\circ\text{C}$ , over  $+70^\circ\text{C}$  switch LCD display OFF

Operating humidity range: 0 to 100 %RH

Outer characteristics in accordance with EN 33-2000-3:

normal environment with the specifications: AE1, AN1, BE1

Working position: the stem downwards

Electromagnetic compatibility: complies EN 61326-1

Not allowed manipulations:

It is not allowed to operate the device under other than specified conditions in technical parameters. Devices are not designed for locations with chemically aggressive environment. Temperature and humidity sensors must not be exposed to direct contact to water or other liquids. It is not allowed to remove the sensor cover to avoid any mechanical damage of the sensors.

Storing conditions: temperature  $-30$  to  $+80^\circ\text{C}$ , humidity 0 to 100 %RH without condensation

Dimensions: 89 x 73 x 37 mm, stem length 75 mm

Weight: approximately 115 g

Material of the case: ABS

**Procedure of modification of transmitter adjustment:**

- Transmitter adjustment is performed by means of the optional SP003 communication cable, connected to USB port of the PC.
- It is necessary to have installed driver for USB communication cable and configuration program Tsensor on the PC
- Connect the SP003 cable to USB port of the PC. Installed driver detects the cable and creates virtual COM port in the PC
- Run program Tsensor, select English version and select proper communication port (see previous point)

---

<sup>2</sup> This maximum is reached under conditions about  $70^\circ\text{C}/100\%RH$  or  $80^\circ\text{C}/70\%RH$

- Unscrew four screws of the transmitter lid and remove the lid. If transmitter is already installed to measuring system, disconnect leads from terminals
- Connect SP003 communication cable to the transmitter connector. Display must light up, or at least must light up all symbols for one second (if LCD was switched OFF by program before).
- Click on button „Connect“ and perform new transmitter adjustment. **Analog output range** of the transmitter is possible to set for ambient temperature from –200 to +600 °C, for humidity from 0 to 100 %RH, for dew point temperature from -200 to +200 °C, for the rest values anything inside its own range. Difference between output range limits must be minimally 30.
- Click on button Save to store new setting to the transmitter. Click on button Disconnect to let transmitter setting without changes.
- Disconnect the cable from the transmitter and place the lid back to the transmitter.

### Error States of the device

Device continuously checks its state during operation. In case error is found LCD displays corresponding error code:

#### Error 0

First line displays „Err0“.

Check sum error of stored setting inside device's memory. This error appears if incorrect writing procedure to device's memory occurred or if damage of calibration data appeared. At this state device does not measure and calculate values. It is the serious error, contact distributor of the instrument to fix.

#### Error 1

Measured (calculated) value is over upper limit of allowed full scale range. There is a reading „Err1“ on LCD display. This state appears in case of:

- Measured temperature is higher than approximately 600°C (i.e. high non-measurable resistance of temperature sensor, probably opened circuit).
- Relative humidity is higher than 100%, i.e. damaged humidity sensor, or humidity calculation of humidity is not possible (due to error during temperature measurement)
- Computed value – calculation of the value is not possible (error during measurement of temperature or relative humidity or value is over range)

#### Error 2

There is a reading „Err2“ on LCD display. Measured (calculated) value is below lower limit of allowed full scale range. This state appears in case of:

- Measured temperature is lower than approximately -210°C (i.e. low resistance of temperature sensor, probably short circuit).
- Relative humidity is lower than 0%, i.e. damaged sensor for measurement of relative humidity, or calculation of humidity is not possible (due to error during temperature measurement)
- Computed value – calculation of computed value is not possible (error during measurement of temperature or relative humidity)

#### Error 3

There is a reading „Err3“ on LCD display upper line.

Error of internal A/D converter appeared (converter does not respond, probably damage of A/D converter). No measurement and calculations of values are proceeded. It is a serious error, contact distributor of the instrument.

**End of operation**

Device itself (after its life) is necessary to liquidate ecologically!

**Technical support and service**

Technical support and service is provided by distributor. For contact see warranty certificate.

Notes:

---